

1023301311

## ELSII-10HM

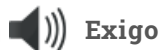
Network Horn Speaker, 10W, Ethernet, Microphone



**IC-EDGE** IC-Edge



**ICX-AlphaCom**



**Audio**

**Automatic Volume**

**HD Voice**

**Network**

- Zenitel Audio Presence - crystal clear audio
- 10W Class D, built-in amplifier
- Protected from dust and Water - IP66
- 116 dB SPL (1m)
- Ideal for Micro Zone PA and systems that require a limited number of speakers
- Each speaker is individually addressable and monitored
- ONVIF Compatible
- Ideal for speakers installed in remote locations, e.g. roads and railways
- Remote software upgrade and configuration
- Relay output for remote control, e.g. doors, signal lamps, gates
- Powered from the IP network cable using Power over Ethernet (PoE)
- Ideal for Building Security, Infrastructure and Industrial projects

## DESCRIPTION

This IP speaker features a 10W Class D amplifier, powered over PoE. This means that the speaker is capable of delivering more than 116 dB, depending on the signal input from a single Ethernet cable. The Horn design give better directivity over that of a cabinet speaker, and ideal for more target audio messages, or installation in challenging acoustic environments where increased directivity is key to intelligible audio.

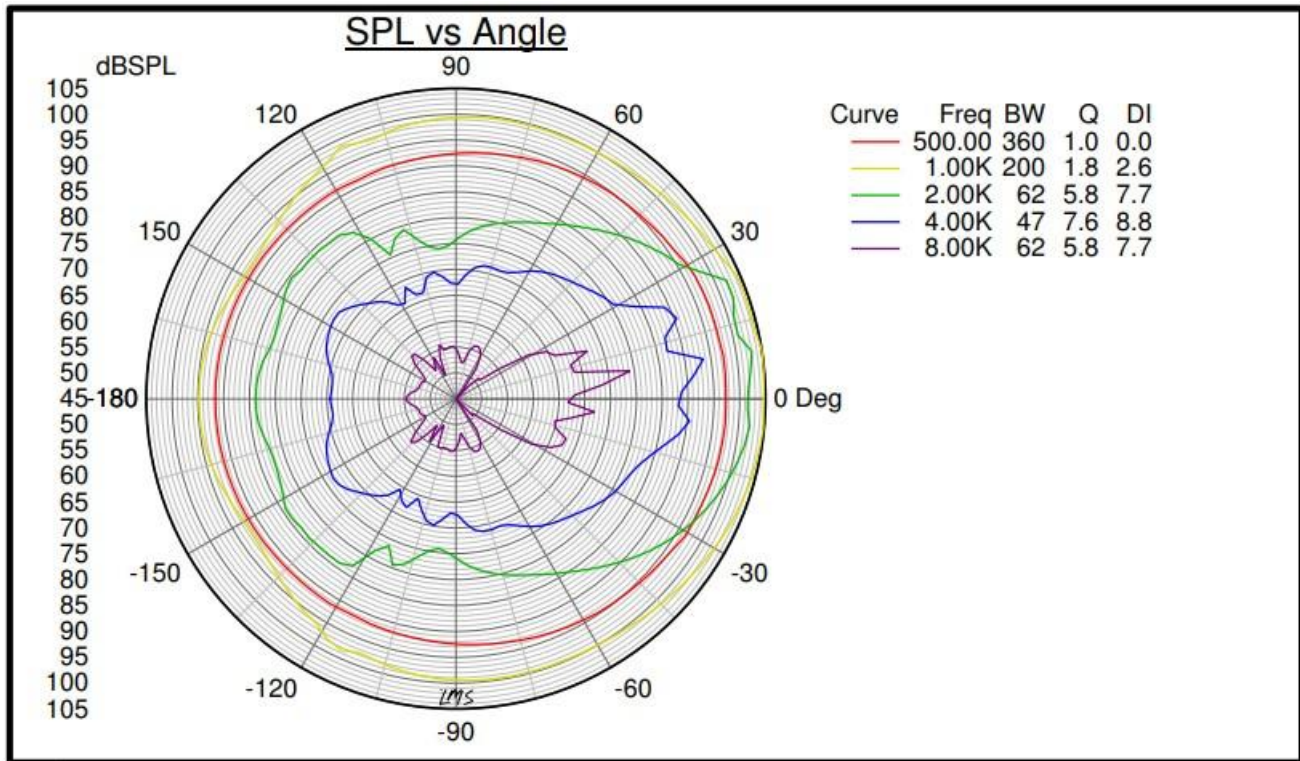
With IP, the system is able to monitor and address each speaker individually. By moving the amplifier from a central unit out to the speaker itself, the need for a central amplifier unit with conventional speaker loops is eliminated. This makes the system highly scalable, and adding another speaker is easy to do.

Whilst conventional speaker loops are not used, the speakers can still be divided into groups. These zones can now extend over networks or span the Internet. To provide maximum availability, the speaker comes with advanced supervision functions.

The built-in microphone enables intelligent features such as Self-checking, and Automatic Volume Control. It also enhances what is traditionally a broadcast-only medium adding Half Duplex speech, and Ambient Listen functions. Self-checking will detect whether there are any faults in the network or speaker electronics. The status of the speaker is reported to the central unit as well as to 3rd-party management systems using SNMP or Syslog. The speakers can also be discovered, receive messages, and use Talkback direct to a VMS over ONVIF.

The speaker has a built-in web interface for status information, control, and upgrade. It is easy to install and maintain. In addition, there are possibilities where broadcasts can be logged in detailed reports.

Polar Plot:



# SPECIFICATIONS

## GENERAL

|                                      |                                       |
|--------------------------------------|---------------------------------------|
| Internal speaker amplifier           | 10 W class D                          |
| Max. sound pressure level at 1 meter | 116 dB                                |
| Dispersion (-6dB) 1kHz / 4kHz        | 140° / 40°                            |
| Directivity factor, Q                | 1,8                                   |
| Codecs                               | G.711, G.722                          |
| Frequency range, G.722 Codec         | 200 Hz – 7000 Hz                      |
| Mounting                             | Bracket (included)                    |
| Weight                               | 1.8 kg / 4 lbs                        |
| Material / Color                     | ASA (plastic) / RAL 7035 (light grey) |
| Electronics cover material           | ASA (plastic)                         |
| Gasket material                      | Silicone rubber                       |
| IP Rating                            | IP66, tested according to EN 60529    |

## ENVIRONMENT AND COMPLIANCES

|                             |                                 |
|-----------------------------|---------------------------------|
| Operating temperature range | -40° to 70° C / -40° to 158 ° F |
| Storage temperature range   | -40° to 70° C / -40° to 158 ° F |
| Relative humidity           | < 95% not condensing            |
| EMC                         | CE and FCC Part 15              |

## HARDWARE

|  |   |
|--|---|
| Ethernet connector                     | 1 x RJ 45   |
| All other connectors                   | Tool less, spring loaded, vibration proof terminals |
| General inputs and outputs             | 6 (configurable)                                    |
| Outputs                                | 12mA as LED drivers                                 |
| Change-over relay (NO+NC+COM)          | Max: 250VAC/220VDC, 2A, 60W                         |
| Power options                          | PoE   |
| PoE (power over Ethernet)              | IEEE 802.3af standard, Class 0 (0.44W to 12.95 W)   |
| Power consumption                      | Idle 1.8W, max 12W (depending on volume)            |
| Audio line out / induction loop signal | 600 Ohm   |

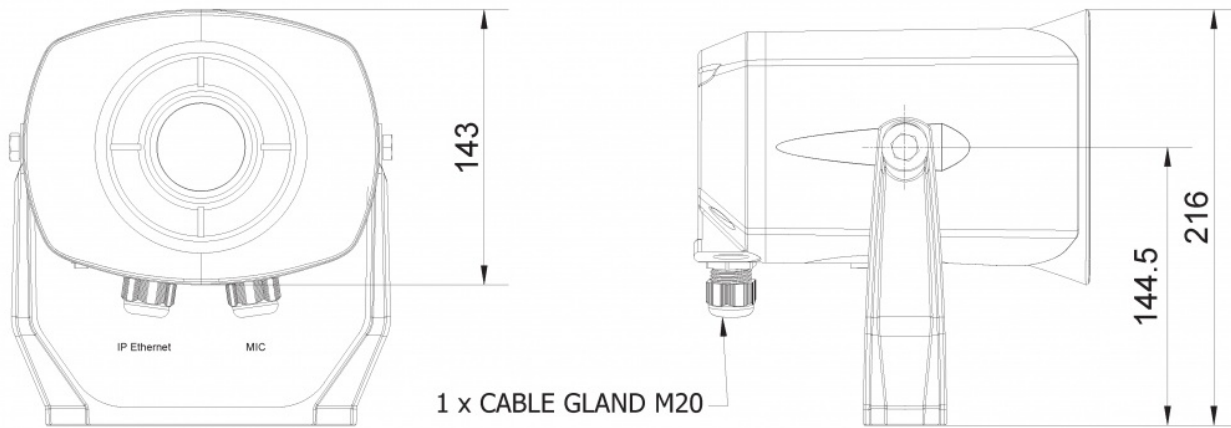
## NETWORKING AND PROTOCOLS

|                                |   |
|--------------------------------|---|
| Protocols                      | IPv4 (with DiffServ), SIP, TCP, UDP, Unicast, Multicast, HTTPS, TFTP, RTP, DHCP, SNMPv2c, ONVIF, CoIP®, NTP             |
| LAN protocols                  | Power over Ethernet (IEEE 802.3 a-f) Network Access Control (IEEE 802.1x)   |
| Management and operation       | HTTP/HTTPS (Web configuration) DHCP and static IP + IC-EDGE™. Remote automatic software upgrade. Centralized monitoring |
| Advanced supervision functions | E.g. network test, tone test, status reports  |
| SIP support                    | RFC 3261 (SIP base standard), RFC 3515 (SIP refer), RFC 2976 (SIP info)   |
| DTMF support                   | RFC 2833, 2976 (SIP info)   |

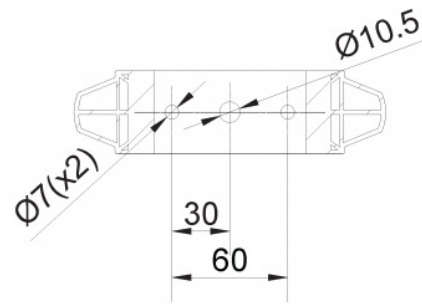
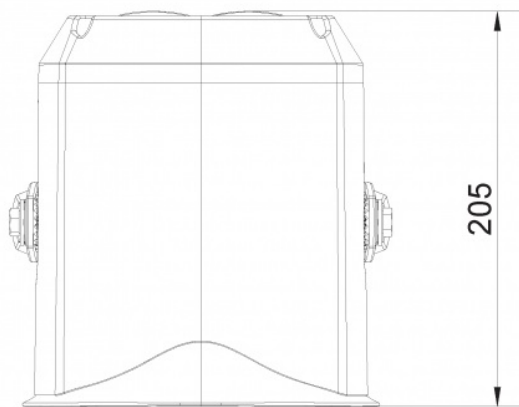
## OTHER SPECIFICATIONS

|   |                                     |
|---|-------------------------------------|
| IP address information                  | Speaks IP address after system boot |
| Country of manufacture                  | Poland                              |
| Dimensions (HxWxD)                      | 144 x 186 x 207 mm                  |
| Weight                                  | 1.65 kg                             |
| Encapsulation material                  | ASA plastic                         |
| DIN-rail clips                          | Wago 209 (included)                 |
| Boxed Weight                            | 1.8 kg / 4 lbs                      |
| Box Dimensions (Width x Height x Depth) | 250 x 210 x 170 mm                  |

## TECHNICAL DIMENSIONS



( 1 : 2 )



( 1 : 4 )

## ACCESSORIES



### EMCG-1

Item number: 1023303010