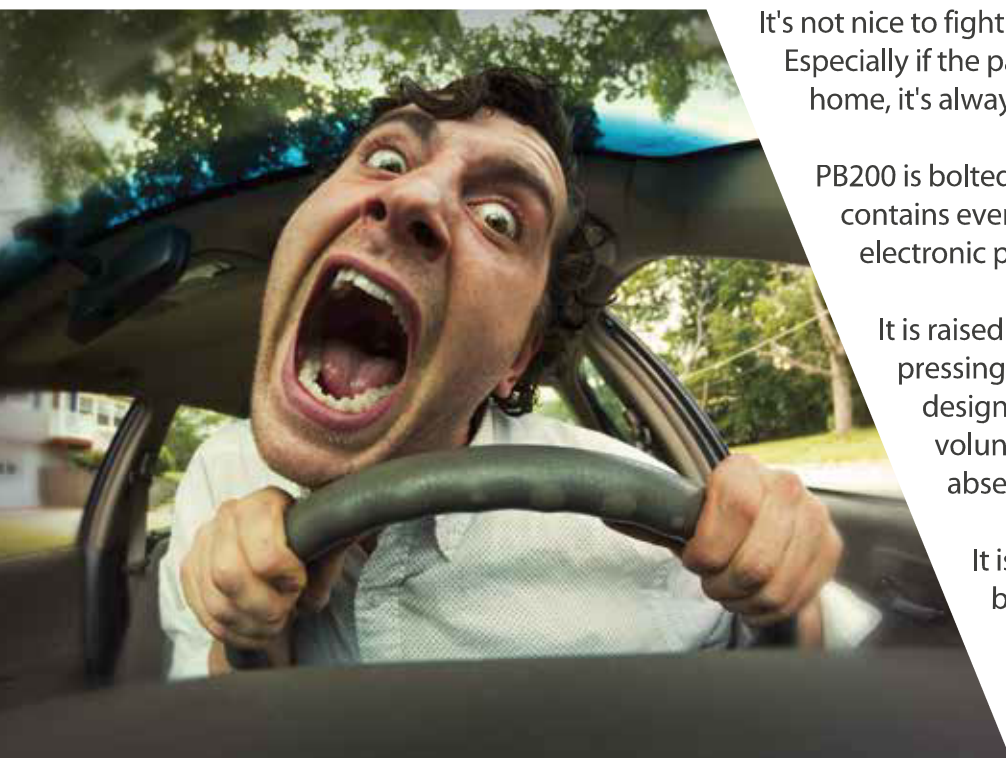


PB200



AUTOMATIC PARK SAVER



It's not nice to fight for a parking space.

Especially if the parking space is yours, and when you come home, it's always occupied by someone else's car.

PB200 is bolted to the ground in a few minutes, it contains everything needed for it to work, including the electronic part and the rechargeable battery.

It is raised and lowered in 3 seconds simply by pressing a button on the radio control, and is designed and built to withstand shocks, voluntary or not, that may suffer during your absence.

It is also very wide and prevents parking between two side-by-side car parks.

The battery is recharged in a few hours every 6-12 months, depending on the number of daily openings.

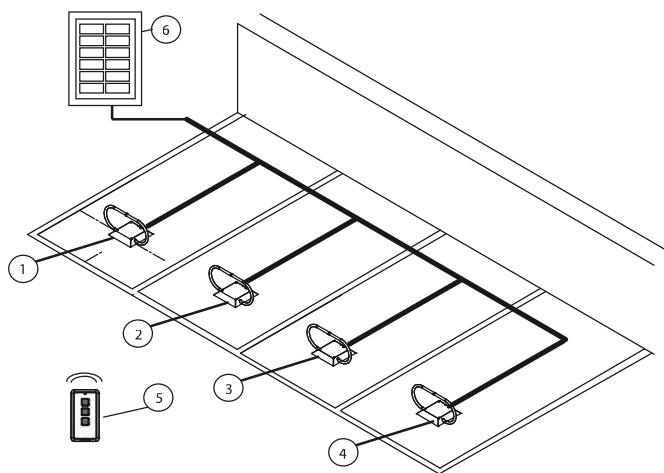
PB200

Technical specifications

CODE	PB/200/BATTERY	PB200/230V
ELECTRICAL DATA		
POWER SUPPLY DATA	Battery	230V/50Hz power
MOTOR VOLTAGE (V)	12V 9Ah	50Hz - 12V 5A
CURRENT (A)	12V CC	12V CC
POWER (W)	3	3
	30	30
PERFORMANCE DATA		
OPENING TIME (SECONDS)	3	3
AVERAGE BATTERY DURATION (MONTHS)	6	
DIMENSIONAL AND GENERAL DATA		
DIMENSIONS	1000x500x100	1000x500x100
OPERATING TEMP (°C MIN/MAX)	-20/+50	-20/+50
WEIGHT (KG)	25	25

Installation reference

- [1] Park saver PB200
- [2] Park saver PB200
- [3] Park saver PB200
- [4] Park saver PB200
- [5] Radiotransmitter
- [6] Kit SOLAR/12



DIMENSIONS

