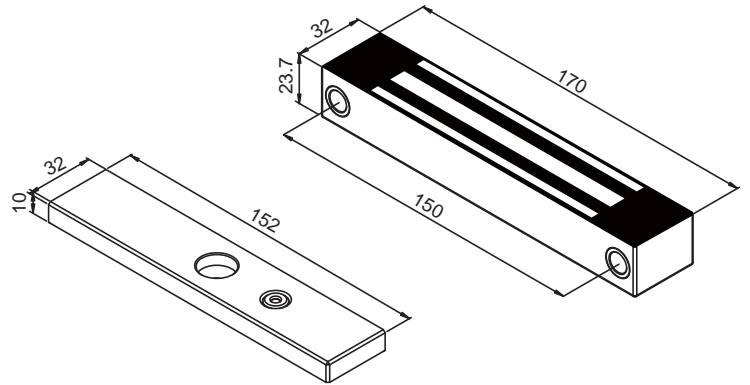




● Dimension



● Features

- Stainless steel casing
- MOV provides spike and surge protection
- Anti-residual magnetism function
- Bond sensor output (10003SR)

● Statement

Electromagnetic lock is designed to open and close the door by magnetism without any mechanical parts for safety purpose. All of our waterproof series magnetic locks are with stainless steel housing and sealed with fire resistance compliant epoxy for totally water prevent. (pass the waterproof test of IEC 60529 Edition 2.1: 2001-02-IPX7).

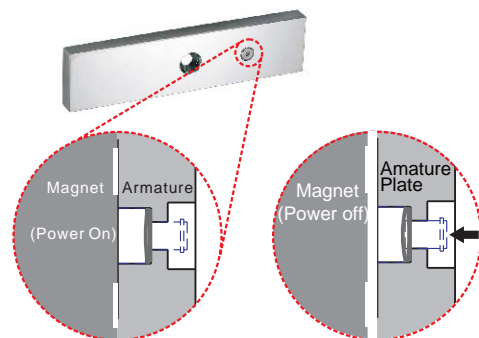
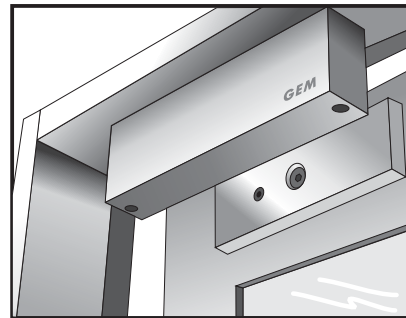
This series electromagnetic locks are suitable for outdoor or the flammable gas confined space where can't have any sparkle occurred during the locks' operation.

10003S is the high quality waterproof mini electromagnetic lock which offers up to 300lbs. holding force (about 136Kg). The installation way is surface mount and apply for out swing single small doors. The L bracket L-150 can be used on the narrow frame door. LZ bracket LZ-150 is the optional for inswing single door application, and also have LZ and U bracket GLZ-150 are for inswing frameless glass door.

● Specification

- Operating Voltage: Single Voltage: 12 or 24 VDC
- Current Draw:
 - Single Voltage: 300mA/12VDC, 260mA/24VDC (at temperature 20°C)
- Operating temperature: -10~55°C (14~131°F)
- Humidity: 0~95% non-condensing.
- Holding force: Up to 300 lbs (136Kg)
- Dimensions:
 - Magnet: (L) 170, (W) 32, (D) 24 mm
 - Armature plate: (L) 152, (W) 32, (D) 10 mm
- Zinc plated finish for magnet and armature plate
- Epoxy potting compound: E87252 (S) , UL94V-0
- Net Weight: 1.5Kg

● Standard Installation



Anti-residual statement

Our electromagnetic locks feature Anti-Residual Magnetism (ARM) which ensures the door can be opened without any resistance from leftover magnetism imparted to the armature plate.

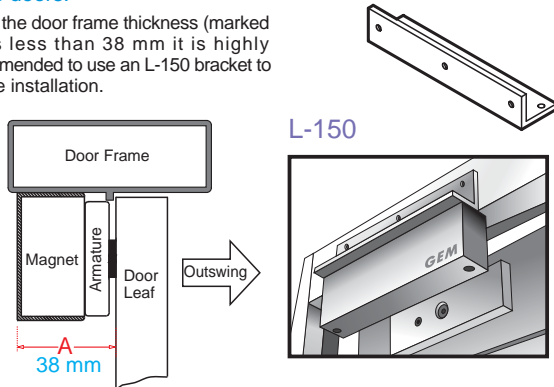
GIANNI INDUSTRIES, INC.

Optional Brackets

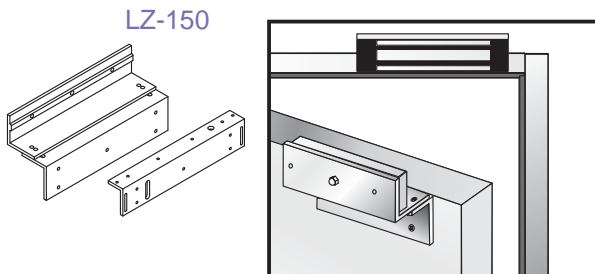
A appropriate bracket fully complements the magnetic lock. Brackets are selected according to the direction of door swing, the thickness of door frame, and the materials of the door.

Outswing doors: L-brackets are recommended for narrow frame doors.

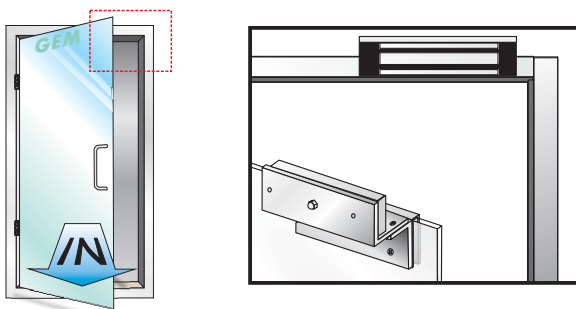
When the door frame thickness (marked 'A') is less than 38 mm it is highly recommended to use an L-150 bracket to enable installation.



Inswing doors: LZ-150 bracket is recommended for use on doors that open inwards.



Inswing full frameless glass doors: GLZ-150 bracket is recommended for use on full frameless glass doors with thickness of 10 mm.



Warranty

The product is warranted against defects in material and workmanship while used in normal service for a period of 5 years from the date of sale to the original client. The GEM policy is one of continual development and improvement; therefore GEM reserves the right to change specifications without notice.

GIANNI INDUSTRIES, INC.